

# MF101D Datasheet

MEDIUM-FLOW PRESSURE REGULATOR  
FOR DIVING APPLICATIONS



● Gas ● Liquid | ● Diaphragm ● Piston | ● Self-Venting ● Non-Venting | Max Inlet: 300 bar (4,350 psi) | Max Outlet: 40 bar (580 psi) | Cv 0.5



## INTRODUCING THE MF101D...

The MF101D is a piston-sensed medium-flow pressure regulator, designed specifically for diving applications.

With a **balanced main valve** and non-venting as standard, the MF101D enables inlet pressures of up to 300 bar (4,350 psi) and controlling outlet pressures up to 40 bar (580 psi).

In addition, the MF101D is supplied cleaned and degreased to ASTM G93 Level C.

## SPECIFICATION

Outlet Ranges	Up to 40 bar (580 psi)
Design Proof Pressure	150% max. working pressure
Seat Leakage	In accordance with ANSI/FCI 70-3
Weight	1.2kg (2.4lbs)

## STANDARD MATERIALS OF CONSTRUCTION

PART	MATERIALS
Body & Bonnet	Brass High Tensile CZ114/CW721R (UNS C67500)
Main Valve Pin	ASTM A479 316/316L Stainless Steel (UNS S31600/S31603)
Soft Seat	PCTFE (Kel-F)
Valve Spring	Inconel® X750 (UNS N07750)
Piston	ASTM A479 316/316L Stainless Steel
Handwheel	Nylon
O-Rings	FKM/FPM (Viton)
Loading Spring	ASTM A240 301 Stainless Steel (UNS S30100)

*Note:* Pressure regulator rating may be limited by connection type, Cv and/or seat material. Contact the office for specific pressure or temperature requirements.

## FEATURES AND BENEFITS

### 1 LARGE PRECISION-MACHINED SENSING ELEMENT

Accurate control of outlet pressures up to 40 bar (580 psi) on non-venting models.

### 2 BALANCED DESIGN

For inlet pressures of up to 300 bar (4,350 psi).

### 3 ASTM G93 LEVEL C

Supplied cleaned and degreased to ASTM G93 Level C, as standard.

### 4 SELF-VENTING OR NON-VENTING

Versatile use for a range of applications.

Product availability and specifications contained herein are subject to change without notice. Consult local distributor or factory for potential revisions and/or service related issues. Pressure Tech Ltd support with product selection recommendations only - it is the users responsibility to ensure the product is suitable for their specific application requirements.



#### PRESSURE TECH LTD

Unit 24, Graphite Way, Hadfield, Glossop, Derbyshire, UK, SK13 1QH

+44 (0)1457 899 307 | [sales@pressure-tech.com](mailto:sales@pressure-tech.com) | [www.pressure-tech.com](http://www.pressure-tech.com)

DESIGNED, MANUFACTURED AND BUILT IN THE UK

© 2024 Pressure Tech Ltd. All Rights Reserved.

030924

PAGE:  
1 OF 4

# MF101D Datasheet

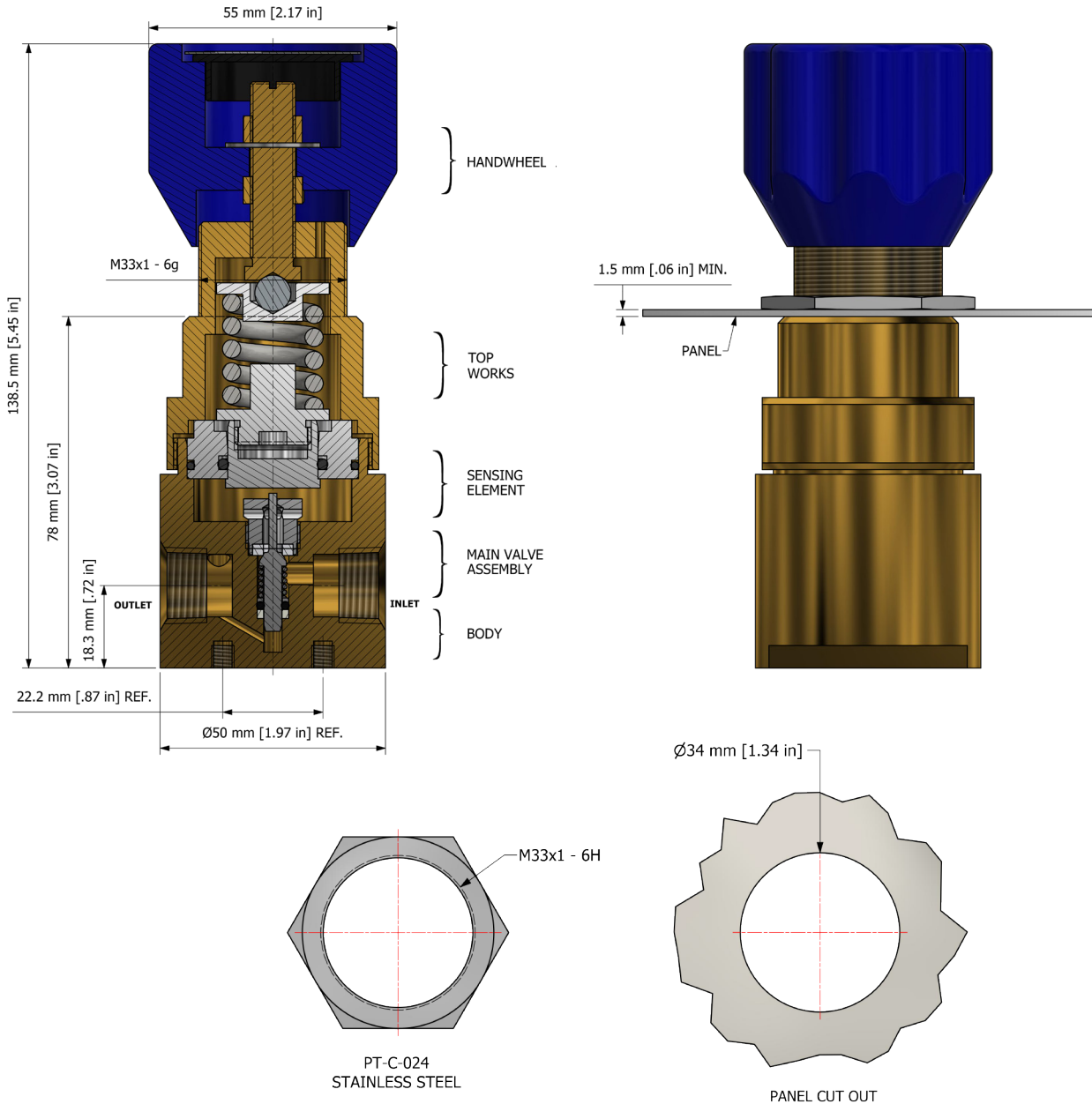
MEDIUM-FLOW PRESSURE REGULATOR  
FOR DIVING APPLICATIONS



Gas  
  Liquid  
  Diaphragm  
  Piston  
  Self-Venting  
  Non-Venting  
 Max Inlet: 300 bar (4,350 psi)  
 Max Outlet: 40 bar (580 psi)  
 Cv 0.5

## DRAWINGS AND INSTALLATION DIMENSIONS

Dimensions shown for 3/8" NPT option and standard configurations only - please contact the office for other options.



**Note:**  
All gauge ports are 1/4" NPT as standard.

Product availability and specifications contained herein are subject to change without notice. Consult local distributor or factory for potential revisions and/or service related issues. Pressure Tech Ltd support with product selection recommendations only - it is the users responsibility to ensure the product is suitable for their specific application requirements.



**PRESSURE TECH LTD**  
 Unit 24, Graphite Way, Hadfield, Glossop, Derbyshire, UK, SK13 1QH  
 +44 (0)1457 899 307 | [sales@pressure-tech.com](mailto:sales@pressure-tech.com) | [www.pressure-tech.com](http://www.pressure-tech.com)  
**DESIGNED, MANUFACTURED AND BUILT IN THE UK**  
 © 2024 Pressure Tech Ltd. All Rights Reserved.

030924

PAGE:  
2 OF 4

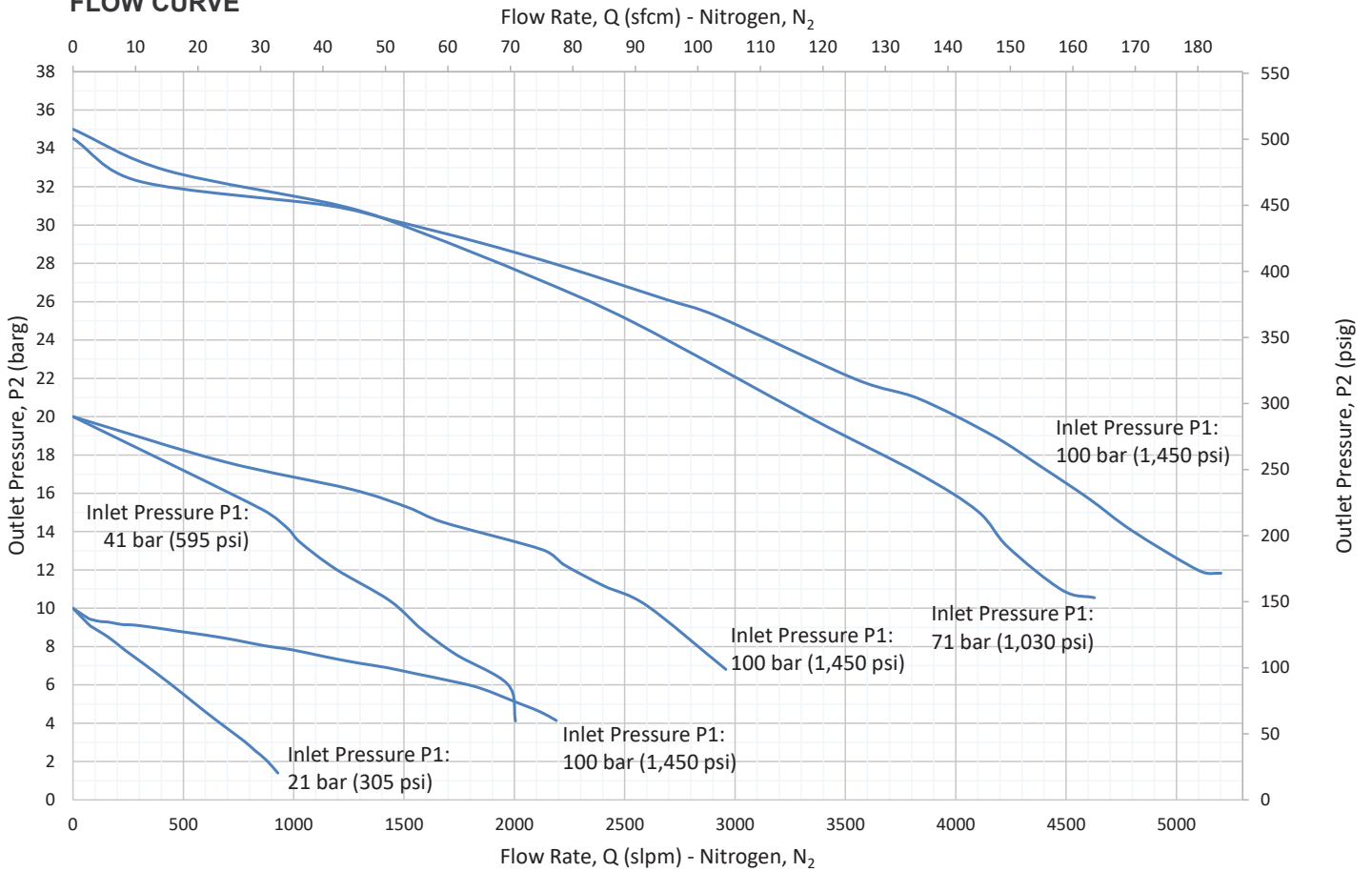
# MF101D Datasheet

MEDIUM-FLOW PRESSURE REGULATOR  
FOR DIVING APPLICATIONS

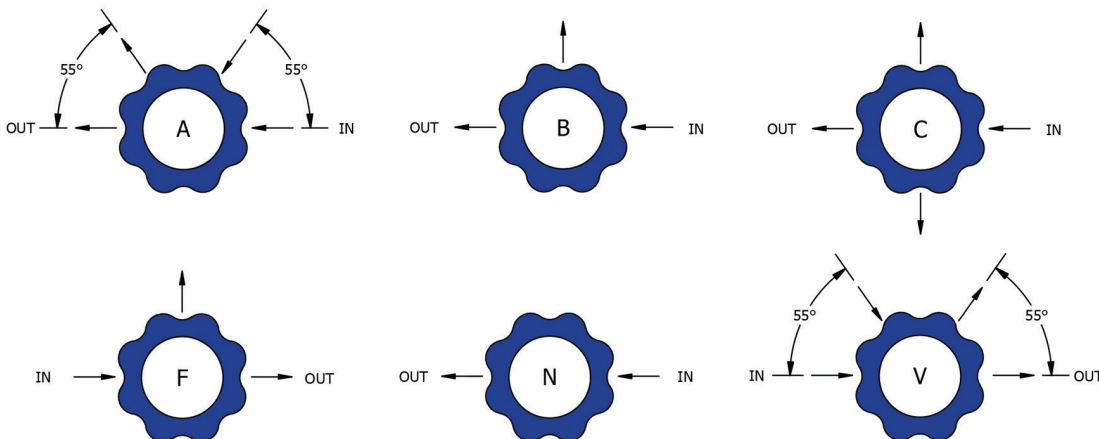


Gas  
  Liquid  
  Diaphragm  
  Piston  
  Self-Venting  
  Non-Venting  
 Max Inlet: 300 bar (4,350 psi)  
 Max Outlet: 40 bar (580 psi)  
 Cv 0.5

## FLOW CURVE



## PORTING CONFIGURATIONS



### Note:

Additional porting configurations are available - please contact the office for further information.

Product availability and specifications contained herein are subject to change without notice. Consult local distributor or factory for potential revisions and/or service related issues. Pressure Tech Ltd support with product selection recommendations only - it is the users responsibility to ensure the product is suitable for their specific application requirements.



### PRESSURE TECH LTD

Unit 24, Graphite Way, Hadfield, Glossop, Derbyshire, UK, SK13 1QH

+44 (0)1457 899 307 | [sales@pressure-tech.com](mailto:sales@pressure-tech.com) | [www.pressure-tech.com](http://www.pressure-tech.com)

DESIGNED, MANUFACTURED AND BUILT IN THE UK

© 2024 Pressure Tech Ltd. All Rights Reserved.

030924

PAGE:  
3 OF 4

# MF101D Datasheet

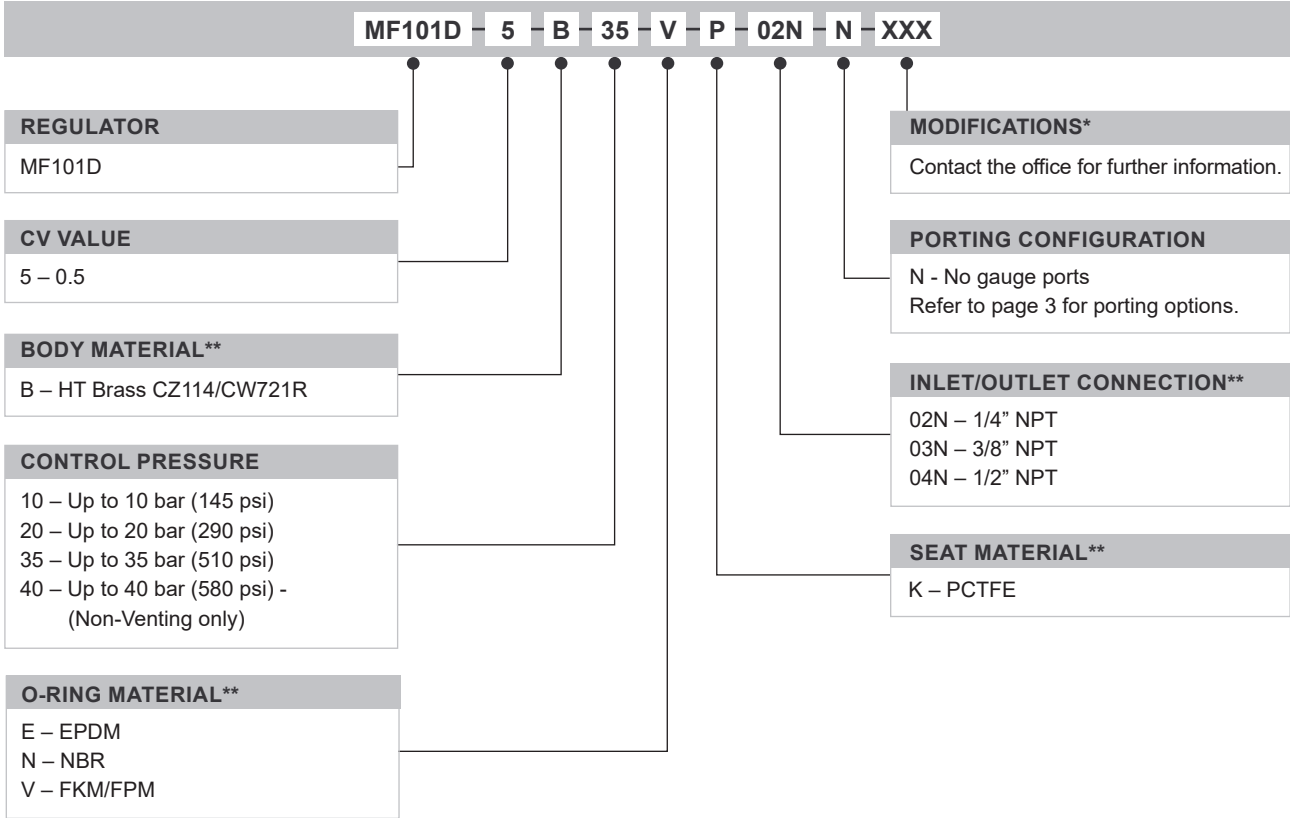
MEDIUM-FLOW PRESSURE REGULATOR  
FOR DIVING APPLICATIONS



Gas  
  Liquid  
  Diaphragm  
  Piston  
  Self-Venting  
  Non-Venting  
 Max Inlet: 300 bar (4,350 psi)  
 Max Outlet: 40 bar (580 psi)  
 Cv 0.5

## ORDERING INFORMATION

To build a Pressure Tech part number, simply combine the characters identified below in sequence:



OPTIONAL EXTRAS		
	PART NUMBER	DESCRIPTION
Service Kit	SRK-MF101-05-B...	Various 'Balanced' options available
Panel Mount Ring	PT-C-024	-

*Note:* Ancillary equipment also available

**TRADEMARKS:** Inconel® is a registered trademark of Inco Alloys International

\* Where applicable

\*\* Other materials/connections may be available

Product availability and specifications contained herein are subject to change without notice. Consult local distributor or factory for potential revisions and/or service related issues. Pressure Tech Ltd support with product selection recommendations only - it is the users responsibility to ensure the product is suitable for their specific application requirements.



### PRESSURE TECH LTD

Unit 24, Graphite Way, Hadfield, Glossop, Derbyshire, UK, SK13 1QH

+44 (0)1457 899 307 | [sales@pressure-tech.com](mailto:sales@pressure-tech.com) | [www.pressure-tech.com](http://www.pressure-tech.com)

DESIGNED, MANUFACTURED AND BUILT IN THE UK

© 2024 Pressure Tech Ltd. All Rights Reserved.

030924

PAGE:  
4 OF 4